

## User manual

ELECTRONICS FOR INDUSTRIAL AUTOMATION  
PANEL METERS . SIGNAL CONVERTERS . LARGE DISPLAYS



# Adapter RAIL-DIN

## DIN rail adapter

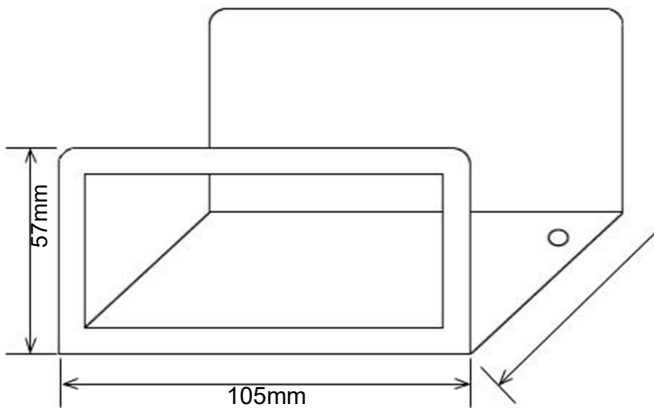
PANEL METERS . RAIL-DIN

*Standard DIN rail adapter for panel meters with 96 x 48 mm front size, and Series M, K and C. Body in galvanized iron and fixation to the DIN rail made on steel. Does not need tools for fixation or to remove from the DIN rail.*

## 1. Adapter RAIL-DIN

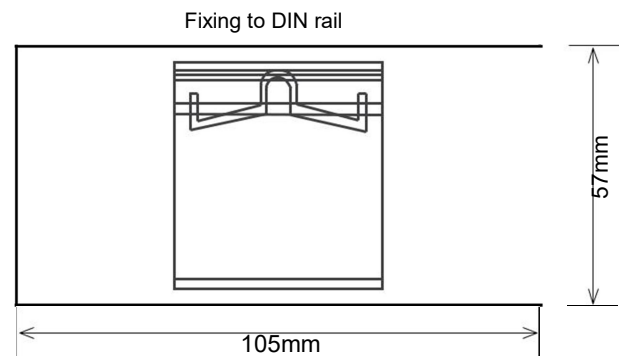
### 1.1 Side view

Side view for the RAIL-DIN adapter for DIN rail. This adapter allows for DIN rail mount of standard 96x48mm panel meters. To mount on the DIN rail simply press the fixations until they lock into the DIN rail. To remove, force the fixation out of the DIN rail. No tools needed.



### 1.2 Rear view

Rear view for the RAIL-DIN adapter for DIN rail. Position of the fixation and sizes. Body is made of galvanized iron. Fixations is made of steel.



### 1.3 Example of real mount

Example of a real mount of a panel meter (standard 96x48mm panel meter) in a DIN rail adapter RAIL-DIN, together with a signal converter from the same DIN rail.

